

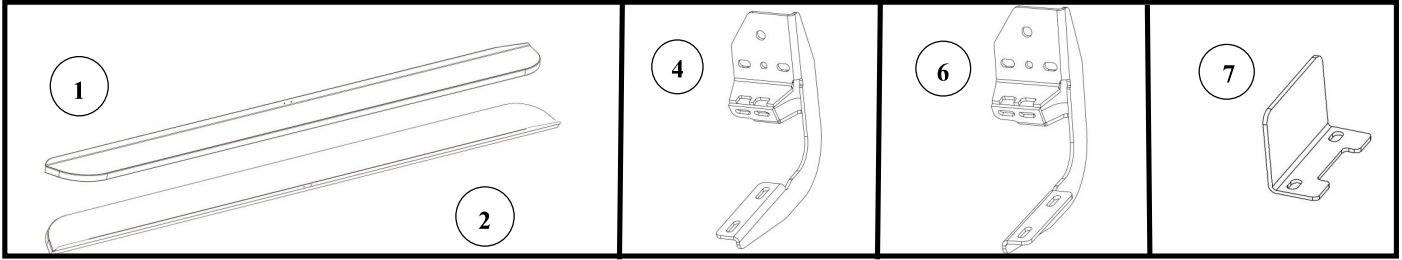


# INSTALLATION INSTRUCTIONS

HDX RUNNING BOARDS

APPLICATION: RAM 1500 2009-15, RAM 2500/3500 2010-15 QUAD CAB/CREW CAB  
PART # 57-53555, 57-53565

AUTOMOTIVE PRODUCTS, INC.



ITEM	QUANTITY	DESCRIPTION	TOOLS NEEDED
1	1	RUNNING BOARD PASSENGER	RATCHET
2	1	RUNNING BOARD DRIVER	RATCHET EXTENSION
3	2	"A" BRACKET—NOT SHOWN— OPPOSITE OF "B" BRACKET	TORQUE WRENCH
4	2	"B" BRACKET	5/16" DRILL BIT
5	1	"C" BRACKET —NOT SHOWN— OPPOSITE OF "D" BRACKET	TRANSFER PUNCH
6	1	"D" BRACKET	4MM ALLEN WRENCH
7	2	BOOT SCRAPER	10MM SOCKET
8	12	M8 HEX HEAD BOLT	10MM WRENCH
9	12	M8 24MM FLAT WASHER	13MM SOCKET
10	12	M8 LOCK WASHER	13MM WRENCH
11	12	M8 U-NUT	16MM SOCKET
12	12	M6 BUTTON-HEAD SCREW	18MM SOCKET
13	12	M6 18MM FLAT WASHER	SILICONE
14	12	M6 12mm FLAT WASHER	
15	12	M6 LOCK WASHER	
16	12	M6 HEX NUT	
17	6	M10 HEX HEAD BOLT	
18	6	M10 LOCK WASHER	
19	6	M10 FLAT WASHER	
20	6	M12 HEX NUT	
21	6	M12 LOCK WASHER	
22	6	M12 FLAT WASHER	
23	6	M12 STUD/ M10 NUTPLATE	
24	6	POLY RETAINER	
25	4	M9.5 EXTERNAL TOOTH LOCK WASHER	
26	4	M9.5 HEX HEAD SELF TAP SCREW	

**ANTI-SEIZE LUBRICANT MUST BE USED ON ALL STAINLESS STEEL FASTENERS TO PREVENT THREAD DAMAGE AND GALLING .**

- Remove contents from box, verify if all parts listed are present and free from damage. Carefully read and understand all instructions before attempting installation.
- Identify driver and passenger side running boards and install M8 u-nut clips (Item 10) to the underside of the boards. **Figure 1.**
- Locate three mount existing locations at each side, and remove tape covers **Figure 3.**
- Starting at the drivers side, locate the front mount location and place a nut plate (item 22) by inserting it through the oval hole and use 1 poly retainer (item 23) to hold the nut plate in place during bracket installation **Figure 3.**
- Install (1x) "A" mounting bracket (item 3), and attach it to the rocker panel using (1) M10 hex head bolt (item 17), (1x) M10 lock washer (item 18), (1x) M10 flat washer (item 19), (1x) M12 hex nut (item 20), (1x) M12 lock washer (item 21), (1x) M12 flat washer (item 22), (2x) M6 button head bolt (item 12), (2x) M6 18mm flat washer (item 13, see figure 5), (2x) M6 12mm flat washer (item 14), (2x) M6 lock washer. *Do not fully tighten at this time, Figure 4 & 5.*
- Follow steps 4 and 5 to install (1x) "A" bracket at mid location (Item 3) and (1x) "C" bracket (Item 5) at the rear location.
- Take the drivers side running board and place it onto the mounting bracket cradles; align the running board with the mounting holes in the brackets and attach using (6x) M8 hex head bolts (item 8), (6x) M8 lock washers (item 10), and (6x) M8 large flat washers (item 9) **Figure 2.** *Do not fully tighten at this time.*
- Align and adjust the running board as needed then fully tighten all hardware at this time. Torque M8 hardware to 20 ft lbs.; M6 to 8 ft lbs; M10 to 40 ft lbs; and M12 to 65 ft lbs.
- Repeat steps 4-8 for the passenger side.



Westin Automotive Products, Inc.  
320 Covina Blvd  
San Dimas, Ca. 91773

P.N.: 75-0107-Rev B ECO #: W14-0080

Thank You for choosing Westin products  
For Additional installation assistance please call  
Customer service (800) 793-7846  
www.westinautomotive.com

DATE: 09/15/2014

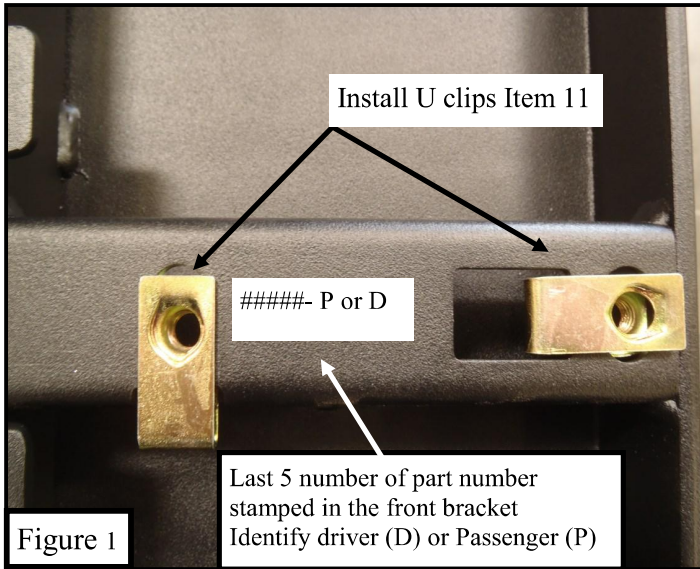


Figure 1

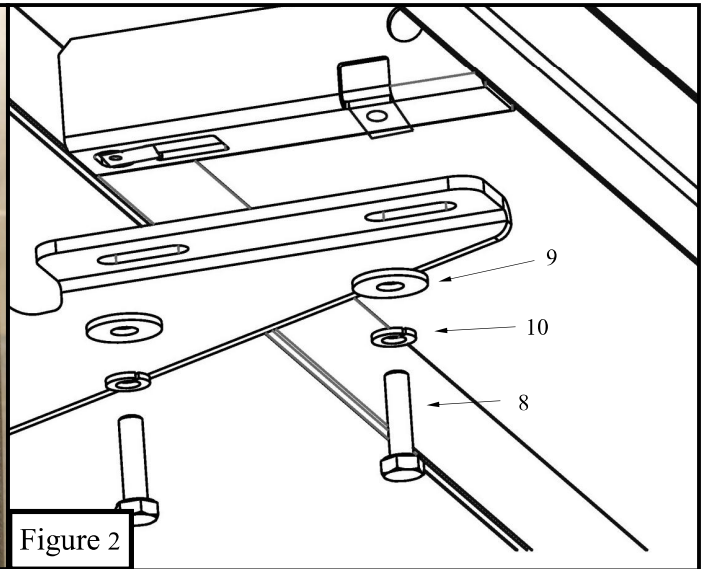


Figure 2

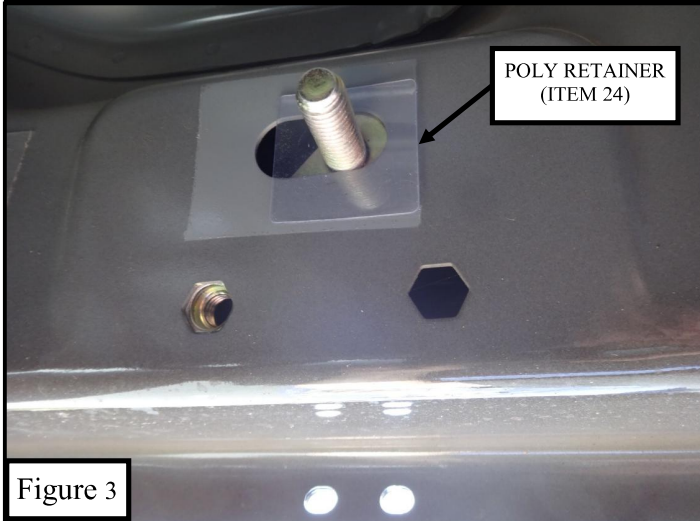


Figure 3

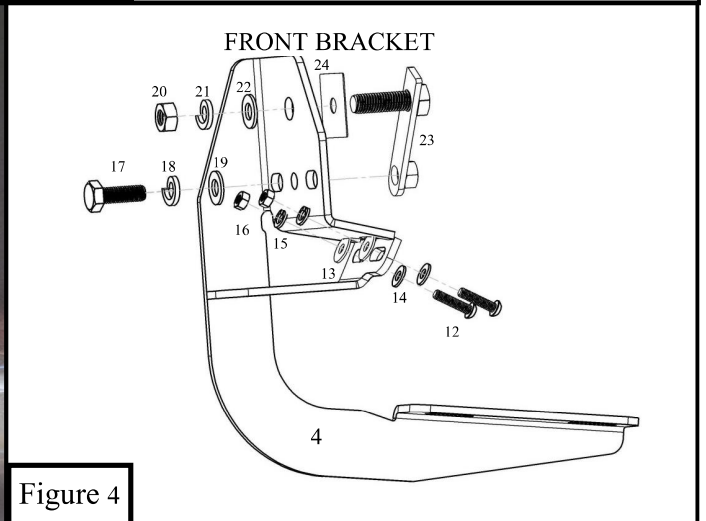


Figure 4

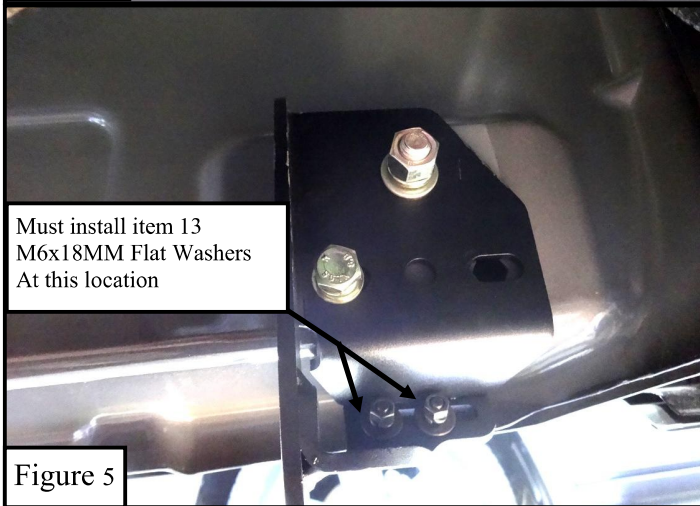


Figure 5

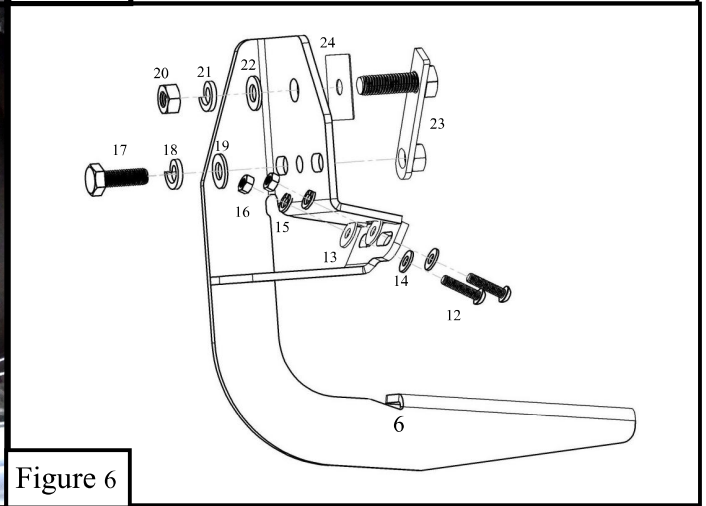


Figure 6

Figure. 7

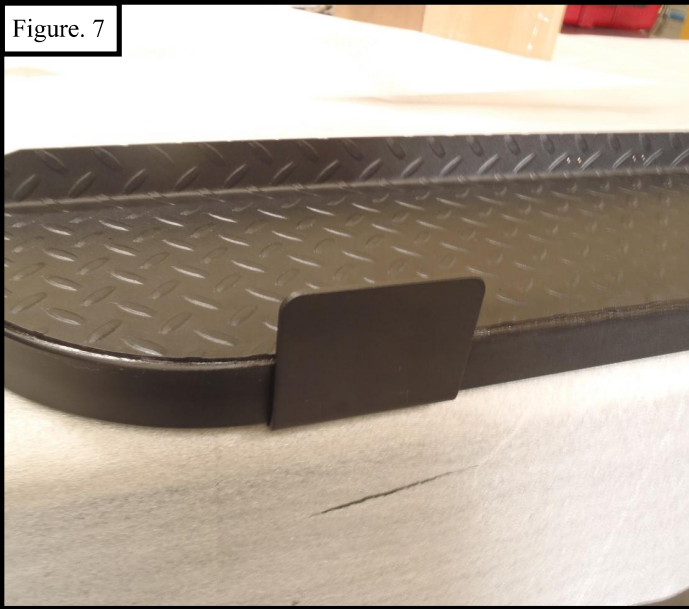
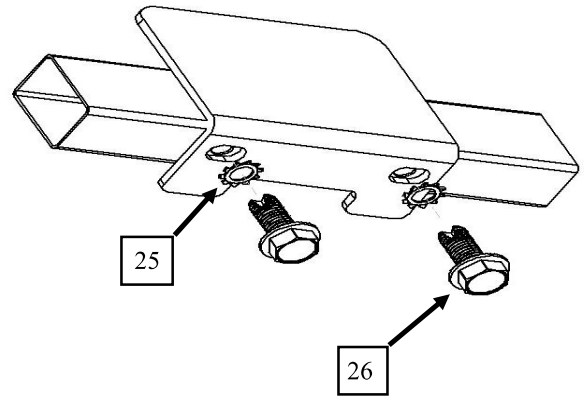


Figure. 8



**Boot scraper (OPTIONAL)** can be installed anywhere on the underside front edge of the running board. Place the boot scraper (item 7) on the underside of the running board rail. Then mark the position that it will be installed using a transfer punch. Remove the boot scraper; then using a 5/16" drill bit align it with the previously made marks and drill through the bottom of the rail on the running board. Thread in (2x) 9.5mm hex head self tapping screws (Item 26). Remove the screws and add some silicone sealant in the holes to prevent rust. Attach the boot scraper (item 7) using (2x) 9.5mm Hex Flange Head Self Threading Screw (item 26) and (2x) 9.5mm external toothed lock washers (item 25). (**Figure 8**) Torque all M9.5 hardware to 18 ft. lbs.

Installation complete



Westin Automotive Products, Inc.  
320 Covina Blvd  
San Dimas, Ca. 91773

Thank You for choosing Westin products  
For Additional installation assistance please call  
Customer service (800) 793-7846  
[www.westinautomotive.com](http://www.westinautomotive.com)